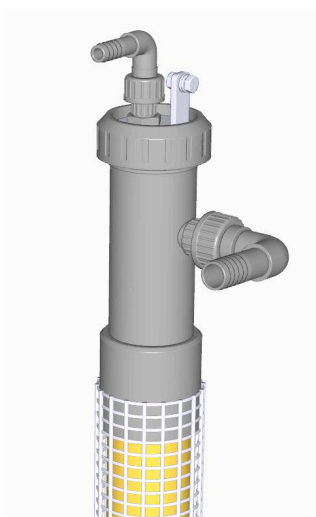


Cellule SOX-CATA75-D48 - Overflow cell :

- Open cell with anionic or cationic membrane Ø 75mm,
- 316L stainless steel anode (Sandvik 3R65), Ø48,3 Sch10,
- Top anolite inlet, Ø 8 to 16 mm, 120 à 300 l/h input flow
- Lateral overflow output, Ø 12 à 32 mm

Technical data :

- Anodic surface : 0,152 m²/m*active length
- Membrane surface : 0,236 m²/m*active length

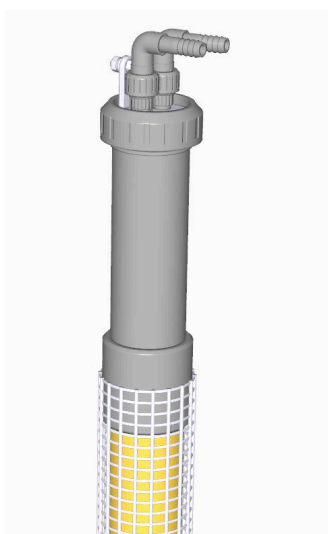


SOX-CATA75-ED48 - Waterproof Cell with Overflow :

- Waterproof cell with anionic or cationic membrane Ø75mm,
- 316L stainless steel seamless anode (Sandvik 3R65), Ø48,3
- Top anolite inlet, Ø 8 to 16 mm, 120 to 350 l/h input flow,
- lateral anolite overflow output, Ø 12 to 32 mm

Technical data :

- Anodic surface : 0,152 m²/m**active length*
- Membrane surface : 0,236 m²/m**active length*

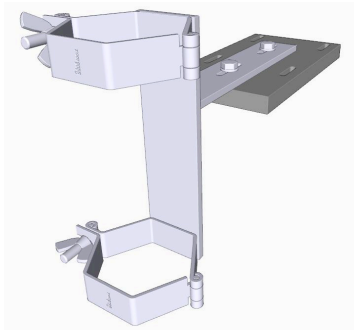


SOX-CATA75-E60 Waterproof Cell :

- Waterproof cell with anionic or cationic membrane Ø75mm
- 316L stainless steel seamless anode (Sandvik 3R65), Ø60,
- Top anolite inlet, Ø 8 à 16 mm, 120 to 350 l/h input flow,
- Top anolite outlet, Ø 12 to 16 mm (other diameter possible)

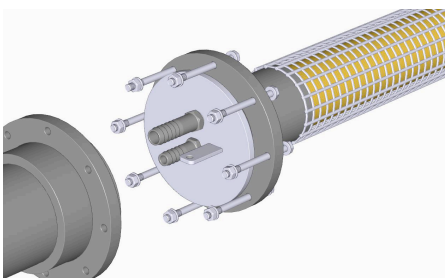
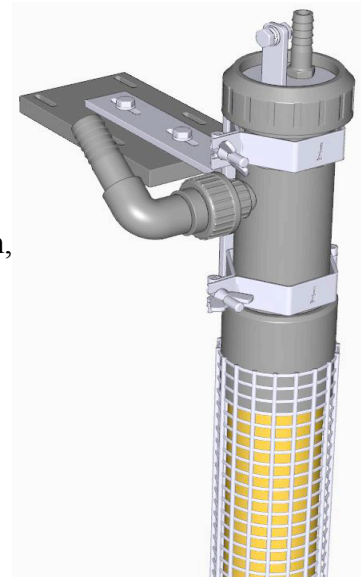
Technical data :

- Anodic surface : 0,189 m²/m**active length*
- Membrane surface : 0,236 m²/m**active length*



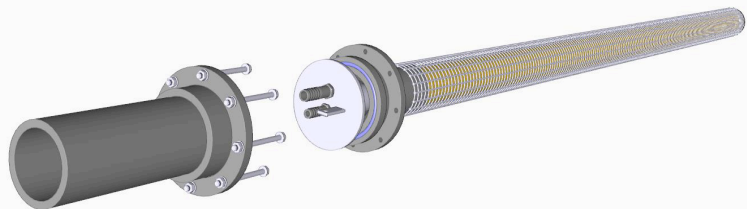
Cell Bracket

- Stainless steel 304L body with variable dimensions depending on your installation,
- PVC foot adaptable to all installations



Horizontal cell SOX-CATA75-E48F (adaptable to existing installation) :

- Same characteristics as sealed cells,
- **NEW** – Two possible anode diameters :
 - Ø 48,3 mm
 - Ø 60,3 mm



Horizontal cell SOX-CATA75-E60F (Top or bottom cell) :

- Same characteristics as sealed cells,
- Stainless steel anode Ø60,3
- Simple, compact and economical design

